



Focus on occupational safety: conttest from SKAN

Our solution for you

The innovative "SKAN conttest" determines the amount of pollutant that can escape from a half-open workbench and thus tests the occupational safety of fume cupboards. The test set-up dynamically simulates the body of a user with typical movements. Installations and equipment inside the fume cupboard can also be measured during the test. The unique containment test is a completely new development from SKAN and is therefore difficult to compare with existing test procedures.

Reference to the standard

The SKAN conttest results cover all the objectives of the old European EN 14175 fume cupboard test: Operator safety, robustness, movement and air exchange. The new air change rate test according to the Swiss EKAS 1871 is also covered, on site. In an intensive series of tests in 2023, the comparability with the SF₆ tracer gas test for fume cupboards according to standard EN 14175-3 was validated (validation report available on request).

How it works

A solvent gas is released into the work space (environmentally and climate-friendly).

An artificial test body covers the area in front of the fume cupboard sash opening as an obstacle to the flow. The test system simulates typical movements of the user during the test gas release, both inside and outside the work area. Sensors at nose, chest and abdomen of the test body measure whether the user could be exposed to substances released from the fume cupboard. A reliable statement can be made about the safety and function of the system as a Containment Performance factor. If the system does not meet the requirements, the need for optimisation can be discussed.

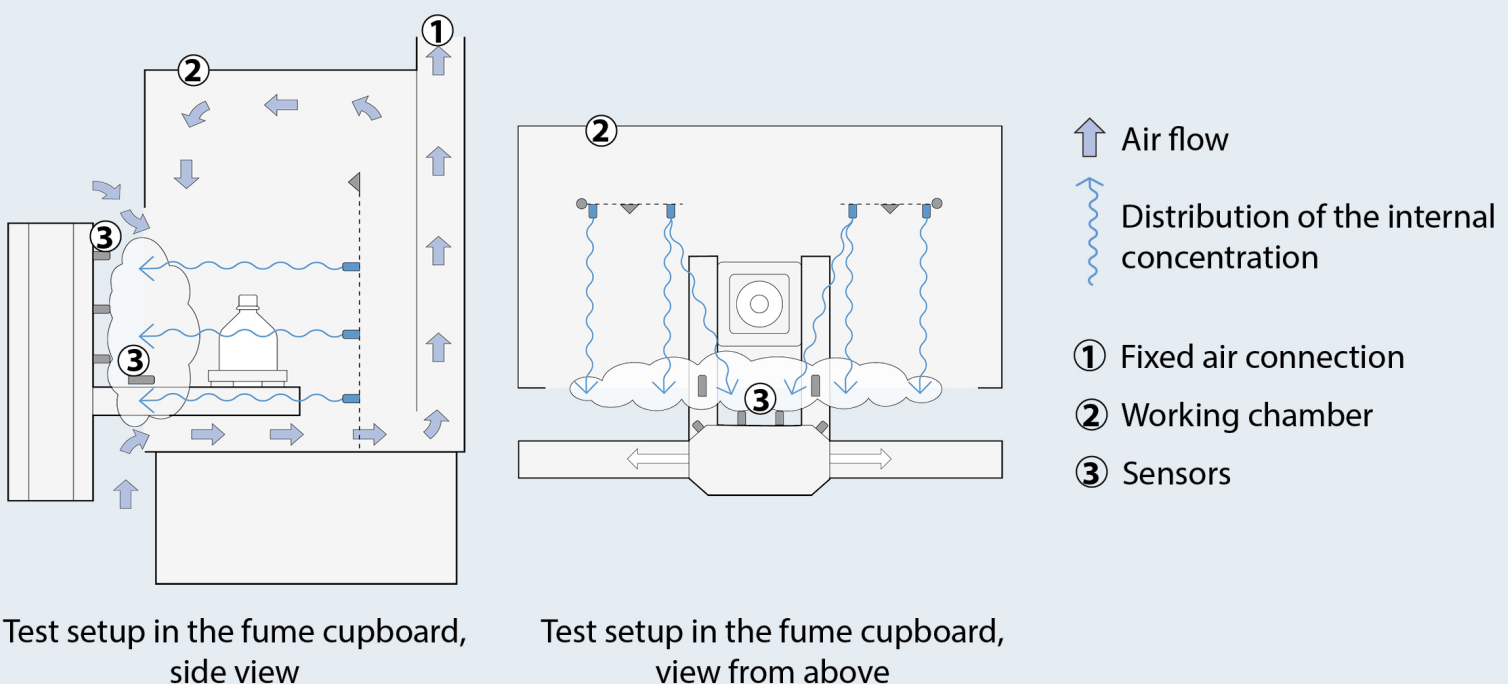


What we offer you

- Ensuring & checking the occupational safety of fume cupboards on site (also with installations)
- Practical and visual test
- No long downtime of the system due to the test
- Environmentally friendly test medium

The characteristics of the test process

- Dynamic test situation
- Total test duration: **10 minutes** (incl. set-up and documentation: < 1 hour)
- Mobile test unit on wheels
- Can be used for fume cupboards of various designs or manufacturers (incl. walk-in fume cupboards)
- 12 high precision sensors measure in real-time in the ppm range
- Reproducible measurement of a possible outbreak
- Meaningful and easy-to-understand test report printed out immediately



SKAN AG Kreuzstrasse 5
4123 Allschwil, Switzerland
+41 61 485 44 44, info@skan.ch

SKAN Stein AG Industriestrasse 3
4332 Stein, Switzerland
+41 62 885 03 00, info.stein@skan.ch

SKAN Deutschland GmbH Nickrischer Straße 2
02827 Görlitz/Hagenwerder, Germany
+49 35822 399 000, de.info@de.skan.ch

SKAN US, Inc. 7409 ACC Blvd., Suite 200
Raleigh, NC 27617, USA
+1 919 354 6380, US.Sales@us.skan.ch

SKAN Japan 5194-61 Katsuren-Haebaru Uruma-shi
Okinawa 沖縄県 904-2311, Japan 日本
+81 98 934 9922, JPskan@skan.ch

Aseptic Technologies Rue Camille Hubert 7-9
5032 Gembloux/Les Isnes, Belgium
+32 81 409 410, info@aseptictech.com

